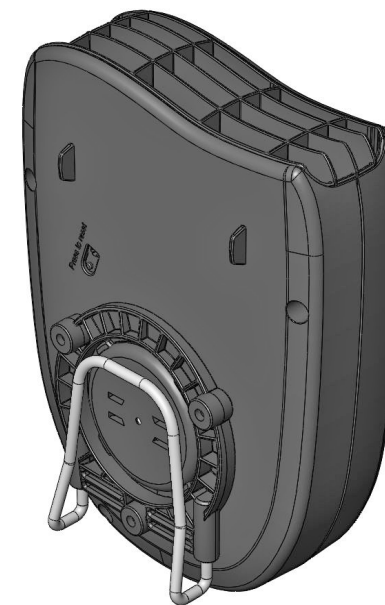


# QUICK CLIP

Wave Line

PATENTED  
SE 540097  
FI 129053  
NO 346162



**Calix AB**  
PO-Box 5026  
SE-630 05 Eskilstuna  
Sweden

**Phone:**  
+46 (0)16-10 80 00  
**Support:**  
+46 (0)16-10 80 90  
**Fax:**  
+46 (0)16-10 80 60

**E-mail:**  
info@calix.se  
**E-mail:**  
teknik@calix.se  
**Internet:**  
www.calix.se